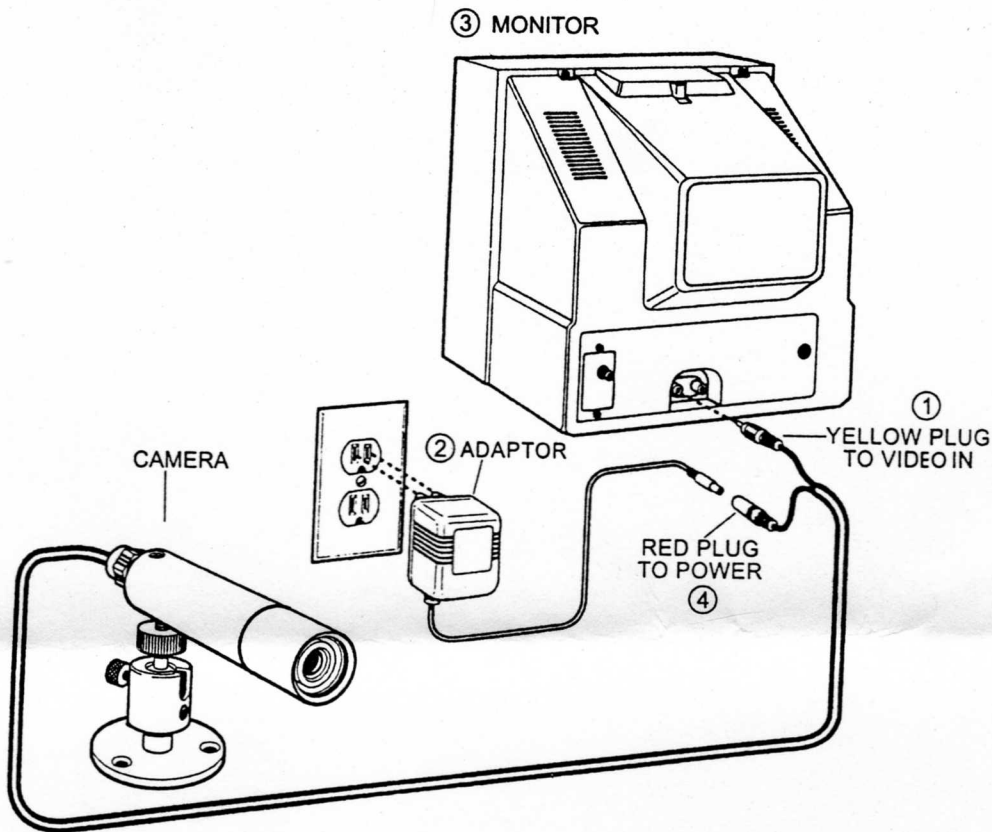


Color / B/W Submergible Camera (DC12V)



A. Manual Instructions as above picture :

- ① Please connect the cable with yellow plug to Monitor.
- ② Connect the Adaptor plug to power source.
- ③ Turn on Monitor.
- ④ Connect the RCA red plug to Adaptor.

B. Cautions :

1. Make sure to use the correct constant current of Adaptor in 300mA.
2. Be careful for the Camera of front glass.

Specification

(SONY CCD)

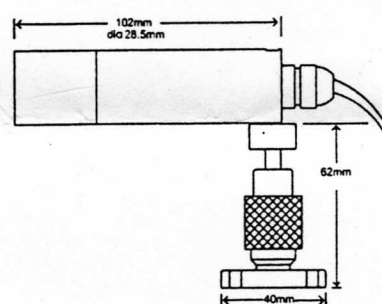
1/3" B/W IR-WAVE NI-VISION HIGH RESOLUTION CCD CAMERA

B/W SUBMERSIBLE CAMERA	
Scanning system	ELA CCIR
Image sensor (device)	Interline Ironster Hyper HAD DCD
Image size	1/3" SONY Exive HAD Ultra High Sensitivity CCD Sensor
Chip size	6.0mm (H) x 4.96mm (V)
	High Res. Standard Res. High Res. Standard Res.
Picture element All	811(H) x 508(V) 537(H) x 505(V) 795(H) x 596(V) 537(H) x 597(V)
Picture element Effective	768(H) x 494(V) 510(H) x 492(V) 752(H) x 582(V) 500(H) x 582(V)
Horizontal Resolution	600 TVL 420 TVL 600 TVL 420 TVL
Minimum Illumination(ACC ON)	0.001 Lux 0.001 Lux 0.01 Lux 0.01 Lux
Light Wave length	400-850nm 400-850nm 400-700nm 400-700nm Infar-red wave length Infar-red wave length
Synchronizing system	Internal Sync .
Interlace	2:1 Interlace
Video output level	1.0V(p-p) (75ohms, composite)
Video S/N ratio	More than 50dB(AGC off)
Electronic iris	Setting ON
Auto Exposure (AE) system	Auto electronic Iris : 1/50(1/60) - 1/100,000 sec
Back Light compensation	Active Histogram Plus windows weight BLC
Gamma	1
Built-in Lens(Lens optional)	Board Lens 3.6mm F2.0(Lens Optional: .6mm, 8mm, 12mm)
Submersible Deep	3 Atmospheric Pressuurs (3PSI)
Environmental conditions	
Operating temperature	Temperature:-15°C to +55°C
Storage temperature	Temperature:-20°C to +70°C
Power Supply	DC Power Supplied From Coaxial cable Power Supply Unit/DC +12V
Power consumption (approx.)	2.1W
Dimensions(approx)	28mm(DIA) x 102mm(L)
Weight(approx)	2.2Kg
Accessones & Weight	RU-58U x 30M Mounting Bracket Coaxial cable power supply

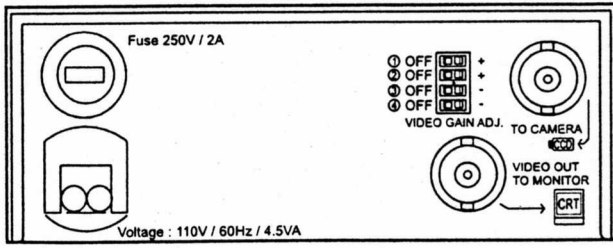
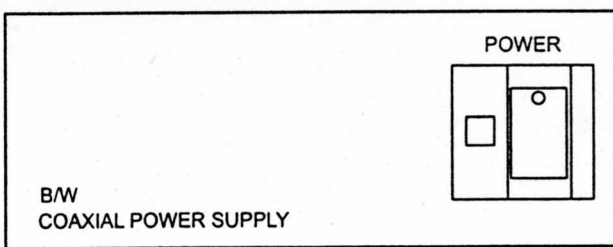
	HIGH RESOLUTION	STANDARD RESOLUTION	HIGH RESOLUTION	STANDARD RESOLUTION
Resolution	600 TVL	420 TVL	600 TVL	420 TVL
Min Illumination	0.001 Lux	0.001Lux	0.01Lux	0.01Lux
Light Wave length	EXVIEW CCD	EXVIEW CCD		
Response	400-850nm In far-red Wave length	400-850nm In far-red Wave length	400-700mm	400-700mm
Power Source	ONECABLE DC + 1.2V			

Coaxial cable Power Supply Specificiontion

To Camera	VS1.0.Vp-p/75ohm
To Monitor	VS1.0.Vp-p/75ohm
Camera Power Supply System	DC Constant Current Over Coaxial cable
Maximun Cable Legth	200M 350M 500M
Operating Temperature	Temperature:-15°c to +55°c
Humidity	Less Than 90%
Power Consumption(approx.)	4.5W
Power Requirements	110V AC/60,50Hz , 230V AC/50,60Hz
Dimensions	6mm(W) x 44mm(H) x 96mm(D)
Weight (approx.)	600g



The instructions of coaxial power supply:



- ① OFF - + : If the camera picture color is too dark, please adjust the ① to be bright.
- ② OFF - + : If the picture color is still not bright enough, please adjust the ② to be more bright.
- ③ OFF - + : If the camera picture is too bright, please adjust the ③ to be dark.
- ④ OFF - + : If the picture color is still not dark enough, please adjust the ④ to be more dark.

Specifications

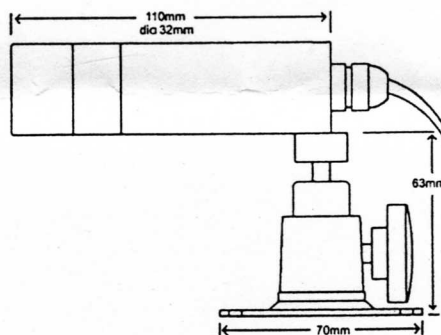
Model		COLOR SUBMERSIBLE CAMERA			
Scanning system		NTSC		PAL	
Image sensor (device)		SONY EXVIEW HAD Ultra High Sensitivity CCD Sensor			
Image size		1/3" (approx. 4.8mm x 3.6mm)			
Chip size		6.0mm (H) x 4.96mm (V)			
		High Res.	Standard Res.	High Res.	Standard Res.
Picture element		811(H) x 508(V)	537(H) x 505(V)	795(H) x 596(V)	537(H) x 597(V)
		Effective	768(H) x 494(V)	510(H) x 492(V)	752(H) x 582(V)
Horizontal Resolution		480 TV Line	420 TV Line	480 TV Line	420 TV Line
Minimum illumination (50.75 AGC ON)		0.01 Lux	0.01 Lux	0.05 Lux	0.05 Lux
Light Wave length		400-850nm (Infar-red)	400-850nm (Infar-red)	400-700nm	400-700nm
Optical black elements		Horizontal 3: in front , 40 : in back			
		Vertical 12: in front , 2 : in back			
Synchronizing system		Internal Sync .			
Interface		2:1 interface			
Aperture correction		H aperture V aperture			
Video output level		1.0V(p-p) (75 ohms, composite)			
Video S/N ratio		More than 50 dB(AGC off)			
Day & Night (option)		Under Light 2 Lux			
White Balance		ATW large range : 2400°K To 11000°K			
Electronic iris		Setting ON			
Lens option		6mm, 8mm, 12mm,			
Auto Exposure (AE) system		Auto electronic iris : 1/50(1/60) - 1/100,000 sec			
Back Light compensation		Active Histogram Plus windows weight BLC			
Gamma		0.45			
Built-in Lens		Board Lens 3.6mm Fixed iris F2.0			
Environmental conditions		Operating temperature Temperature:-10°C to +50°C, Humidity : within 90% RH			
		Storage temperature Temperature:-20°C to +70°C, Humidity : within 70% RH			
Power Supply		DC Power Supplied From Coaxial cable Power Supply Unit / DC +12V			
Power consumption (approx.)		3W			
Dimensions (approx.)		110mm(L) x 32mm(DIA)			
Weight (approx.)		2.2Kg			
Accessories & Weight		RU-58U x 30M			
		Mounting Bracket			
		Coaxial cable power supply			

IR-WAVE NI-VISION DIGITEL CCD COLOR CAMERA

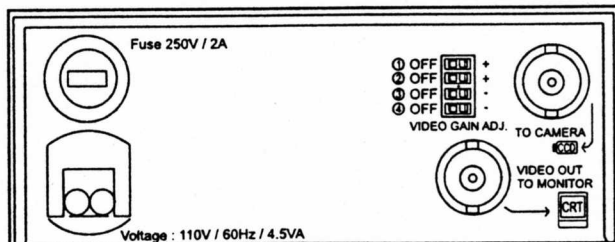
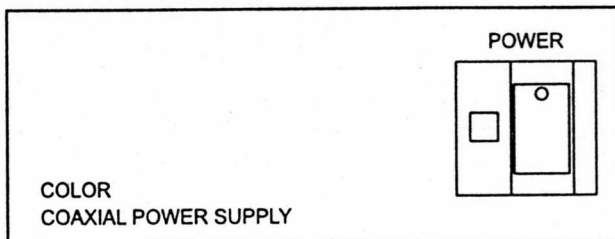
	EXVIEW HIGH RESOLUTION	EXVIEW STANDARD RESOLUTION	HIGH RESOLUTION	STANDARD RESOLUTION
Resolution	480 TVL	420 TVL	480 TVL	420 TVL
Min illumination (F1.2 AGC on)	0.01 LUX	0.01 LUX	0.05 LUX	0.05 LUX
Light	EXVIEW CCD	EXVIEW CCD		
Wave length response	400-850nm Infar-red wave length	400-850nm Infar-red wave length	400-700nm	400-700nm
Power Source	ONECABLE DC + 12V			

Coaxial cable Power Supply Specification

To Camera	VS1.0.Vp-p/75 ohm
To Monitor	VS1.0.Vp-p/75 ohm
Camera Power Supply System	DC Constant Current Over Coaxial cable
Maximun Cable Legth	RG-58U 200M RG-59U 350M RG-61U 500M
Operating Temperature	Temperature:-15°c to +55°c
Humidity	Less Than 90%
Power Consumption(approx.)	6W
Power Requirements	110V AC/60,50Hz . 230V AC/50,60Hz
Dimensions	106mm(W) x 44mm(H) x 96mm(D)
Weight (approx.)	600g

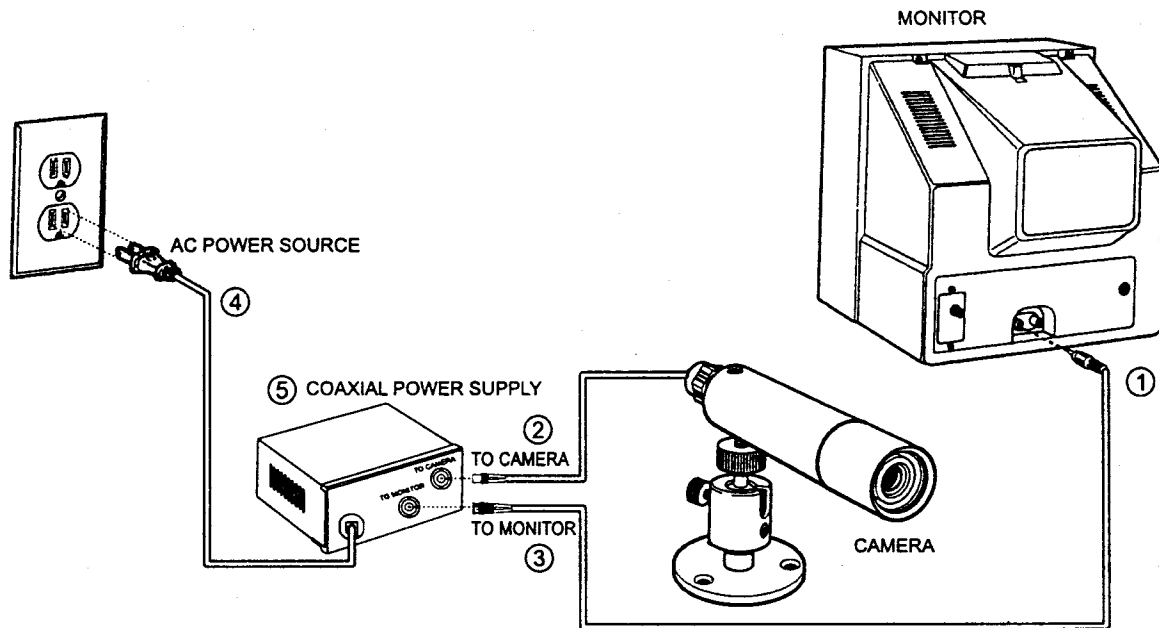


The instructions of coaxial power supply:



- ① OFF - + : If the camera picture color is too dark, please adjust the ① to be bright.
- ② OFF - + : If the picture color is still not bright enough, please adjust the ② to be more bright.
- ③ OFF - + : If the camera picture is too bright, please adjust the ③ to be dark.
- ④ OFF - + : If the picture color is still not dark enough, please adjust the ④ to be more dark.

Color / B/W Submersible Camera (AC230V or AC110V)



A. Manual Instructions as above picture :

- ① Please connect the cable to Monitor.
- ② Please connect camera cable to coaxial power supply.
- ③ Please connect monitor cable to coaxial power supply.
- ④ Put the coaxial power supply cable plug into power source socket.
- ⑤ Turn on Power Source.

B. Cautions :

1. Make sure to use the correct power source in AC230V or AC110V which depends on user's requirement.
2. Be careful for the Camera of front glass.